

ALGORITHMIC MASTER BEAM SMOKE DETECTOR MODULE

AE/SA-MDL

Description

Units with microprocessor designed to be used with the algorithmic fire alarm panels of AGUILERA ELECTRONICA.

They include:

- A conventional detection loop that can be, according to the model Single Beam smoke detector loop.
- One supervised 24Vdc relay output, with end of line resistance.

These modules require an auxiliary power supply for operation.

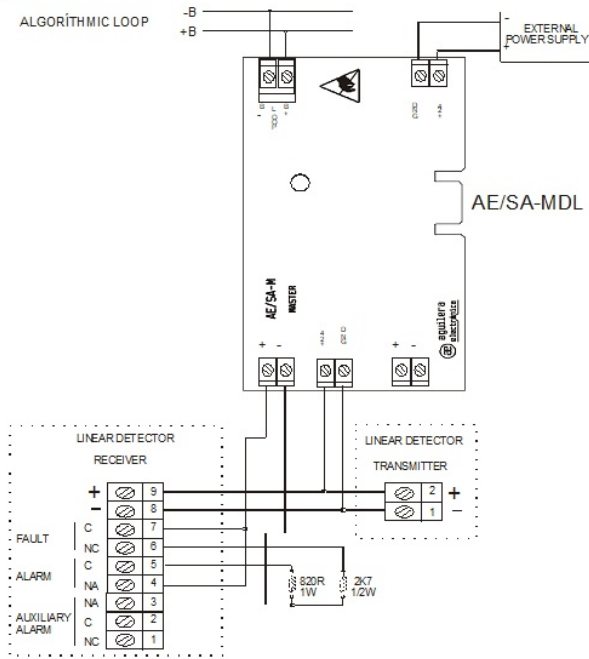
The detection loop and the output are individually personalized in the Algorithmic Panel with the name of the location and the operation performed. Its operation is independent.

They include:

- * Operation pilot: It indicates it is operating correctly, giving red-colored flashes through the status LED. The flashing frequency depends on whether the equipment in idle or not. If the flashing were annoying in particular cases, it can be inhibited individually.
- * Removable jacks, to facilitate connection in the field.
- * The circuit's protective case leaves the status LED of the unit visible.
- * Individual identification: Each module is identified individually with a single number inside the installation loop. This number is stored in EEPROM memory whereby it is kept even though the module is without power for a long period.



Wiring Schematic



Assembly

For the installation of the modules, open the module cover by pressing on its central part. Secure the module with 4 screws using the fastening holes foreseen for this purpose.

Wiring

Disconnect the supply voltage of the detection loop before installing the module.

- Connect the positive input of the detection loop to the + B terminal.
- Connect the negative input of the detection loop to the - B terminal.

TECHNICAL CHARACTERISTICS

Power supply voltage:	18 ~27 V (AE/SA-CTL Algorithmic loop card).
Consumption when idle:	1 mA (auxiliary feed 17 mA)
Consumption in alarm state:	1.3 mA (auxiliary feed 90 mA)
Algorithmic loop wiring	2-wire. Recommended cross-section 1.5 mm2
Supervised output:	+24 Vdc
Relay characteristics:	Maximum resistive load = 1 A / 30 Vdc - 0.5 A / 125 Vac Maximum switching voltage = 125 Vdc - 125 Vac Maximum switching power = 30 W - 125 VA
Temperature range:	0° - +50° C (ambient temperature)
Humidity range:	Relative humidity 10% - 90% without condensation.
Luminous indicator:	Operation pilot: Red flash (can be inhibited).

Casing material:	ABS
Activation:	Red intermittent
Size:	105 x 82 x 25 mm
Fastening:	4 holes, diam. 3.5 mm
Weight:	100g.

CERTIFICATION

0099/CPD/A74/0094

